

<u>BNPM/LTE/Barrel Filter/962/2018-19</u>	<b>BANK NOTE PAPER MILL INDIA PRIVATE LIMITED</b>	SHEET 1 OF 1
	<b>TENDER FOR SUPPLY OF BARREL FILTER AT BNPM PLANT, MYSURU CORRIGENDUM NO. 1</b>	

**CORRIGENDUM No. 1, DATED 19.04.2019**

**FOR**

**TENDER NO. BNPM/LTE/Barrel Filter/962/2018-19 Dated 05.04.2019**

**TENDER FOR SUPPLY OF BARREL FILTER AT BNPM PLANT,  
MYSURU**



<u>BNPM/LTE/Barrel Filter/962/2018-19</u>	<b>BANK NOTE PAPER MILL INDIA PRIVATE LIMITED</b>	SHEET 1 OF 1
	<b>TENDER FOR SUPPLY OF BARREL FILTER AT BNPM PLANT, MYSURU CORRIGENDUM NO. 1</b>	

**1.0 SCOPE OF THIS CORRIGENDUM**

- 1.1 This corrigendum dated 19.04.2019, is issued for,  
(a) The tender additional information updated in drawing and submission of bid mentioned in tender for submission of tender floated on 05.04.2019.
- 1.2 Except for details mentioned herein, all other details contained in the tender no. BNPM/LTE/Barrel Filter/962/2018-19 Dated 05.04.2019, shall remain applicable and unchanged.

**2.0 REVISION TO THE TENDER:-**

<u>S.No</u>	<u>Clause</u>	<u>Previous Provision</u>	<u>Action/ Clarification incorporated in this corrigendum</u>
01	NIT, Sec-1 (Page-3)	Offer Submission Closing Date: <b>26.04.2019 at 1600 Hrs.</b>	Offer submission Closing Date: <b>30.04.2019 at 1600 Hrs.</b>

Revised drawing with detailed specifications are attached herewith:-



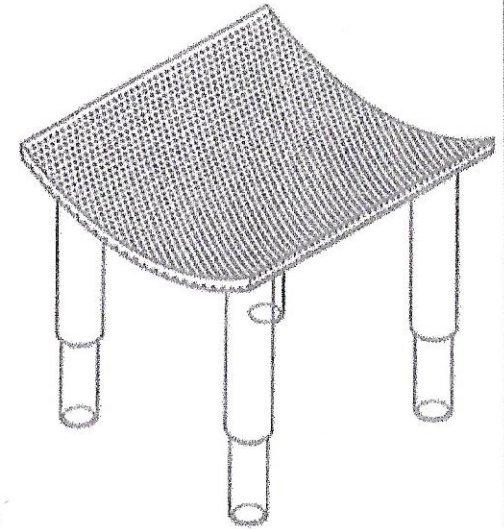
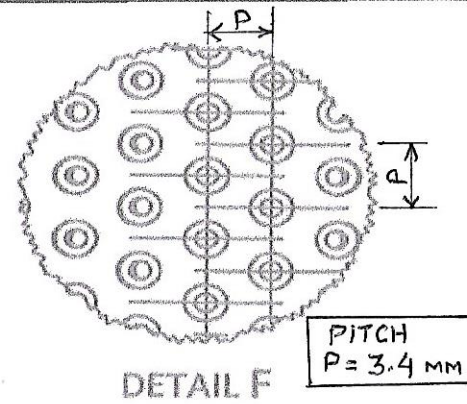
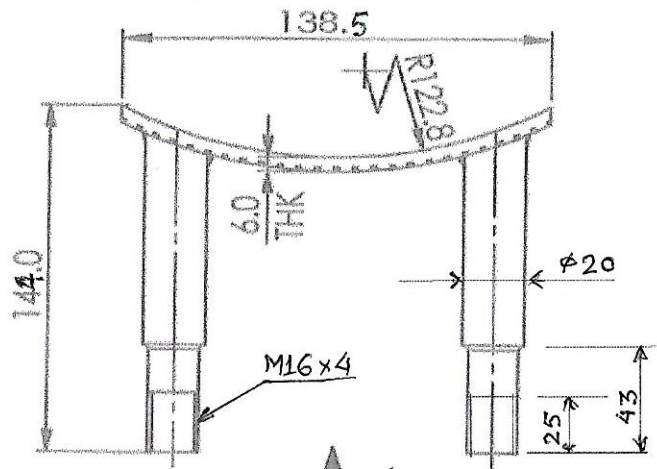
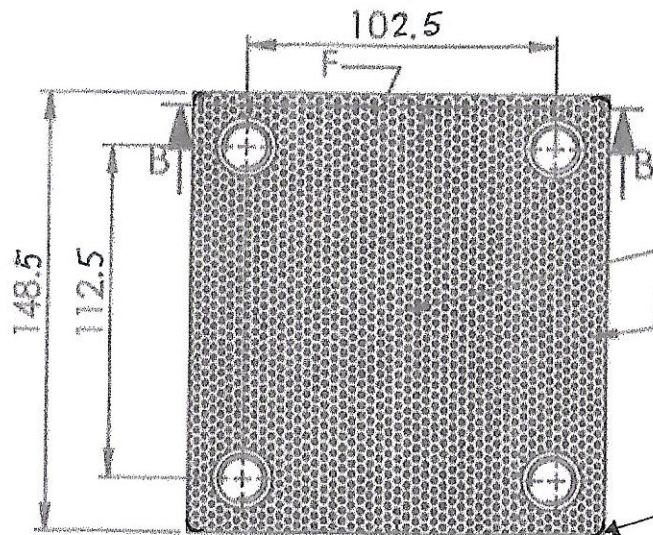


PLATE HARDNESS: 150HB



SECTION B-B

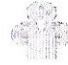



C'BORE  
 Ø 1.0 X THRU  
 Ø 2.0 X 1.5 DEEP  
 AS SHOWN

PERFORATION AREA

ALL CORNERS  
 ROUNDED OFF

VIEW A

 BANK NOTE PAPER MILL INDIA PRIVATE LIMITED MYSORE-570003			
	SIGNATURE	DATE	
PREPARED BY			<b>BIVIS STRAINER</b>
CHECKED BY			<b>MOC : SS 316L</b>
APPROVED BY		19.4.19	<b>DRG.NO:BNPM/PP/70/2018-19</b>

